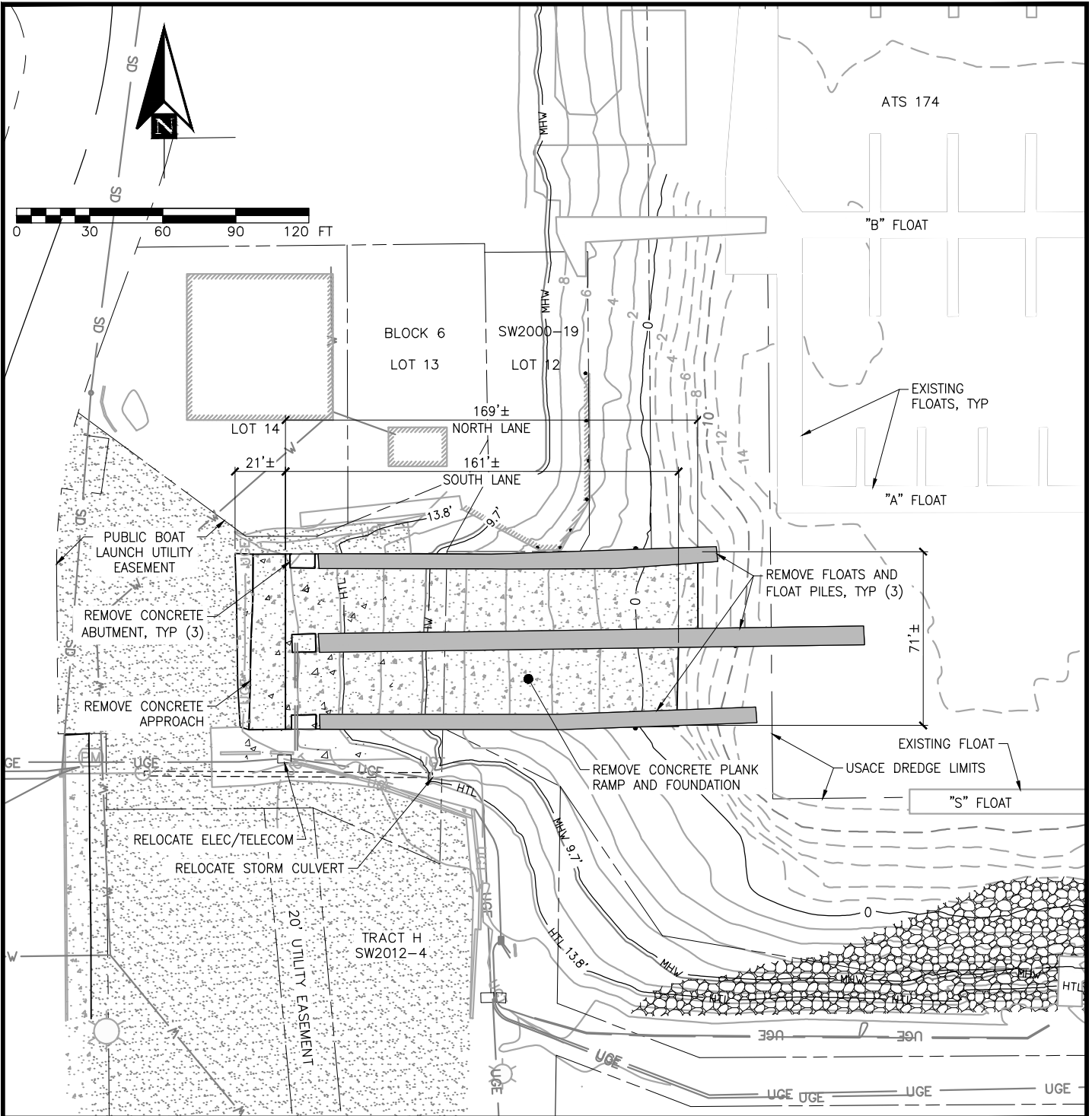


TIDAL LEVELS	
HIGH TIDE LINE (HTL)	+13.8 FT
MEAN HIGHER WATER (MHW)	+9.7 FT
MEAN LOWER LOW WATER (MLLW)	+0.0 FT

PROPOSED ACTIVITY:
 TO REPLACE EXISTING BOARDING
 FLOATS, PILES, CONCRETE
 PLANKS, APPROACH APRON AND
 REVETMENT.
 DATUM: MLLW 0'
 SEC. 3 T.1S R1W SEW.
 LAT: 60.1159
 LONG: -149.4395

VICINITY MAP
 CITY OF SEWARD
 PO BOX 167
 SEWARD, AK 99664

**CITY OF SEWARD
 SOUTH HARBOR LAUNCH
 RAMP RENOVATION**
 POA-XXXX-XXXX
 IN: RESURRECTION BAY
 BY: CITY OF SEWARD, AK
 MAY 7, 2018 SHEET **1** of **4**



PROPOSED ACTIVITY:
 TO REPLACE EXISTING BOARDING
 FLOATS, PILES, CONCRETE
 PLANKS, APPROACH APRON AND
 REVETMENT.

DATUM: MLLW 0'
 SEC. 3 T.1S R1W SEW.
 LAT: 60.1159
 LONG: -149.4395

EXISTING SITE PLAN

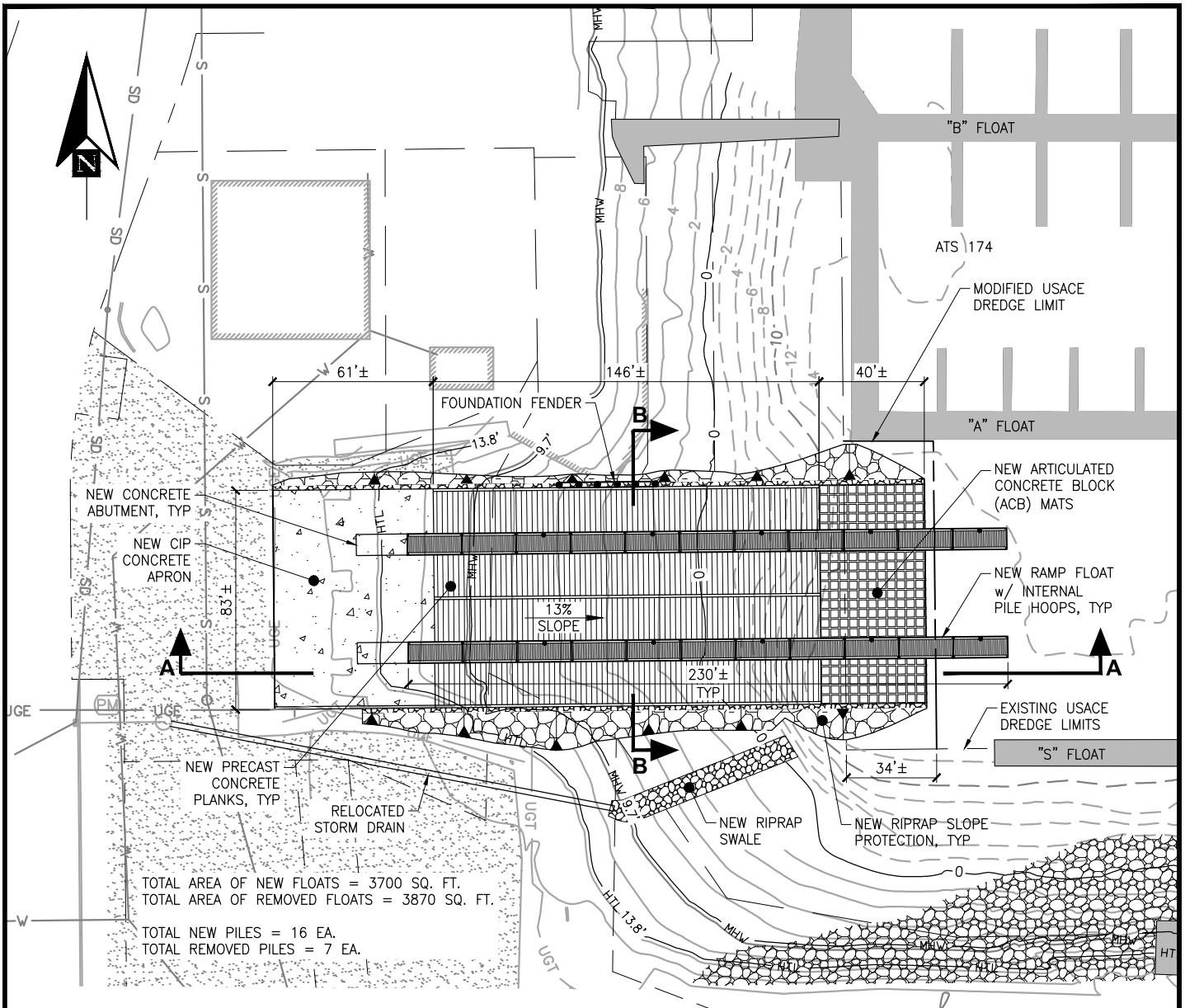
CITY OF SEWARD
 PO BOX 167
 SEWARD, AK 99664

CITY OF SEWARD SOUTH HARBOR LAUNCH RAMP RENOVATION

POA-XXXX-XXXX

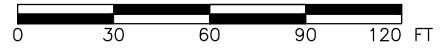
IN: RESURRECTION BAY
 BY: CITY OF SEWARD, AK

MAY 7, 2018 SHEET **2** of **4**



QUANTITIES

	UNDERLAYER ROCK (CY)	RIPRAP (CY)	RAMP CONCRETE (CY)	EXCAVATION (CY)	FOOTPRINT (ACRE)
TOTAL	1800	270	900	810	0.67
BELOW HTL	1500	220	670	590	0.50
BELOW MHW	1340	170	550	530	0.41
BELOW MLLW	930	90	270	100	0.22



PROPOSED ACTIVITY:
 TO REPLACE EXISTING BOARDING
 FLOATS, PILES, CONCRETE
 PLANKS, APPROACH APRON AND
 REVETMENT.
 DATUM: MLLW 0'
 SEC. 3 T.1S R1W SEW.
 LAT: 60.1159
 LONG: -149.4395

NEW SITE PLAN

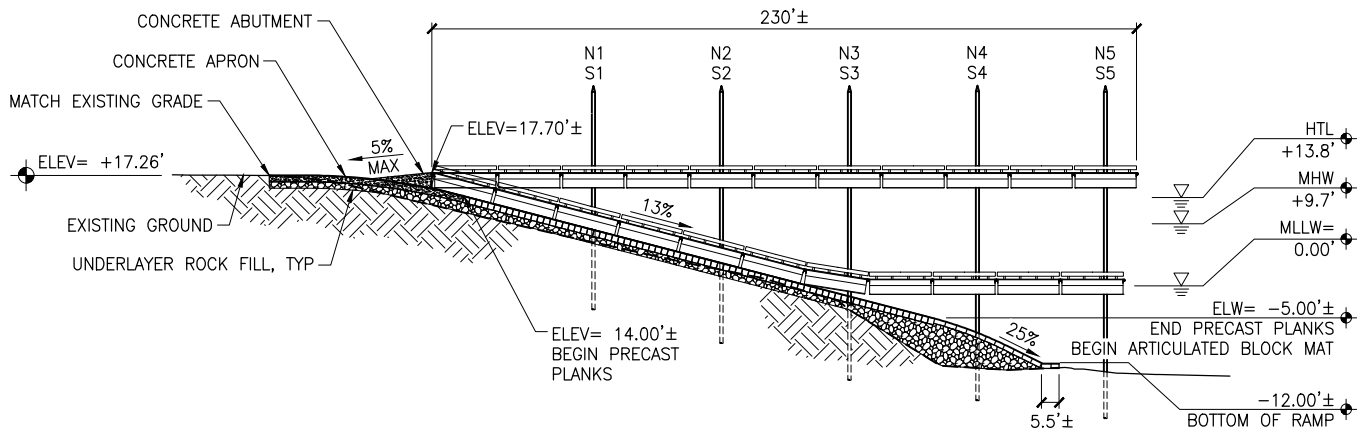
CITY OF SEWARD
 PO BOX 167
 SEWARD, AK 99664

**CITY OF SEWARD
 SOUTH HARBOR LAUNCH
 RAMP RENOVATION**

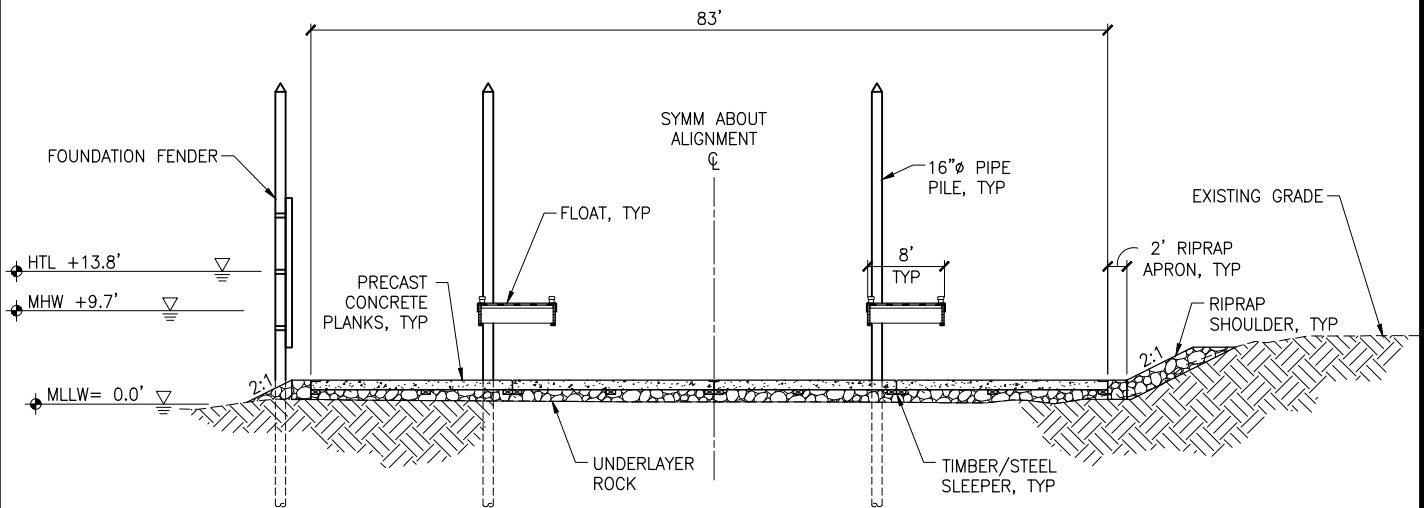
POA-XXXX-XXXX

IN: RESURRECTION BAY
 BY: CITY OF SEWARD, AK

MAY 7, 2018 SHEET **3** of **4**



LAUNCH RAMP SECTION A-A
SCALE 2V:1H



LAUNCH RAMP SECTION B-B
NTS

PROPOSED ACTIVITY:
TO REPLACE EXISTING BOARDING
FLOATS, PILES, CONCRETE
PLANKS, APPROACH APRON AND
REVETMENT.

DATUM: MLLW 0'

SEC. 3 T.1S R1W SEW.

LAT: 60.1159

LONG: -149.4395

SECTIONS

CITY OF SEWARD
PO BOX 167
SEWARD, AK 99664

**CITY OF SEWARD
SOUTH HARBOR LAUNCH
RAMP RENOVATION**

POA-XXXX-XXXX

IN: RESURRECTION BAY
BY: CITY OF SEWARD, AK

MAY 7, 2018 SHEET **4** of **4**