



**Alaska District  
U.S. Army Corps of Engineers**

## Operations Branch **Public Notice**

Issue Date: April 21, 2020 Expiration Date: May 31, 2020  
Identification No. 408-POA-2020-0001  
Please refer to the identification number when replying.

---

### **Section 408 Review Talkeetna River Dike Talkeetna, Alaska**

The Alaska District (District) of the U. S. Army Corps of Engineers (USACE) has received a request pursuant to Section 14 of the Rivers and Harbors Act of 1899, 33 U.S.C. 408 (Section 408), from PDC Engineers, Inc. acting on behalf of the Mahay's River Boat Service. The proposed project is to construct a 24 feet by 8 feet floating aluminum dock located on the southeastern shore of the Talkeetna River approximately 270 feet southwest of the railroad bridge. The dock will be connected to shore via two deadman anchors and four concrete reaction blocks. The two deadman anchors consist of 8 feet by 2 feet by 2 feet concrete blocks located on the land side of the riprap dike and are connected to the dock via galvanized wire rope. The four concrete reaction blocks will be placed on the river side of the dike. These anchors consist of 2 feet by 2 feet by 2 feet concrete blocks located immediately onshore and will be connected to the dock via an aluminum pipe. A 4 feet wide access ramp will run across the riprap dike which will connect to a gravel pathway on the landward side of the dike. The floating dock and access ramp will be installed in the spring and removed in the fall. The deadman anchors and concrete reaction blocks will remain in place year-round. See attached proposed dock drawings.

The proposed project could potentially alter the federally authorized dike located along the southeast shore of the Talkeetna River downstream of the railroad bridge and therefore requires authorization from USACE. Section 408 provides authority to the Secretary of the Army, on the recommendation of the Chief of Engineers, to grant permission for the alteration of USACE civil works projects when the activity will not be injurious to the public interest and will not impair the usefulness of the federal project. USACE policy and procedural guidance for processing Section 408 requests are outlined in Engineer Circular 1165-2-220.

This public notice announces the Section 408 review and requests that interested parties submit, in writing, any comments directed specifically to this review. Comments will be part of the record and considered in determining whether it would be in the public interest to proceed with this action. Comments must refer to the identification number above, be postmarked by the public notice expiration date, and sent to the following address:

U.S. Army Corps of Engineers, Alaska District  
CEPOA-EC-O  
PO Box 6898

JBER, AK 99506-0898

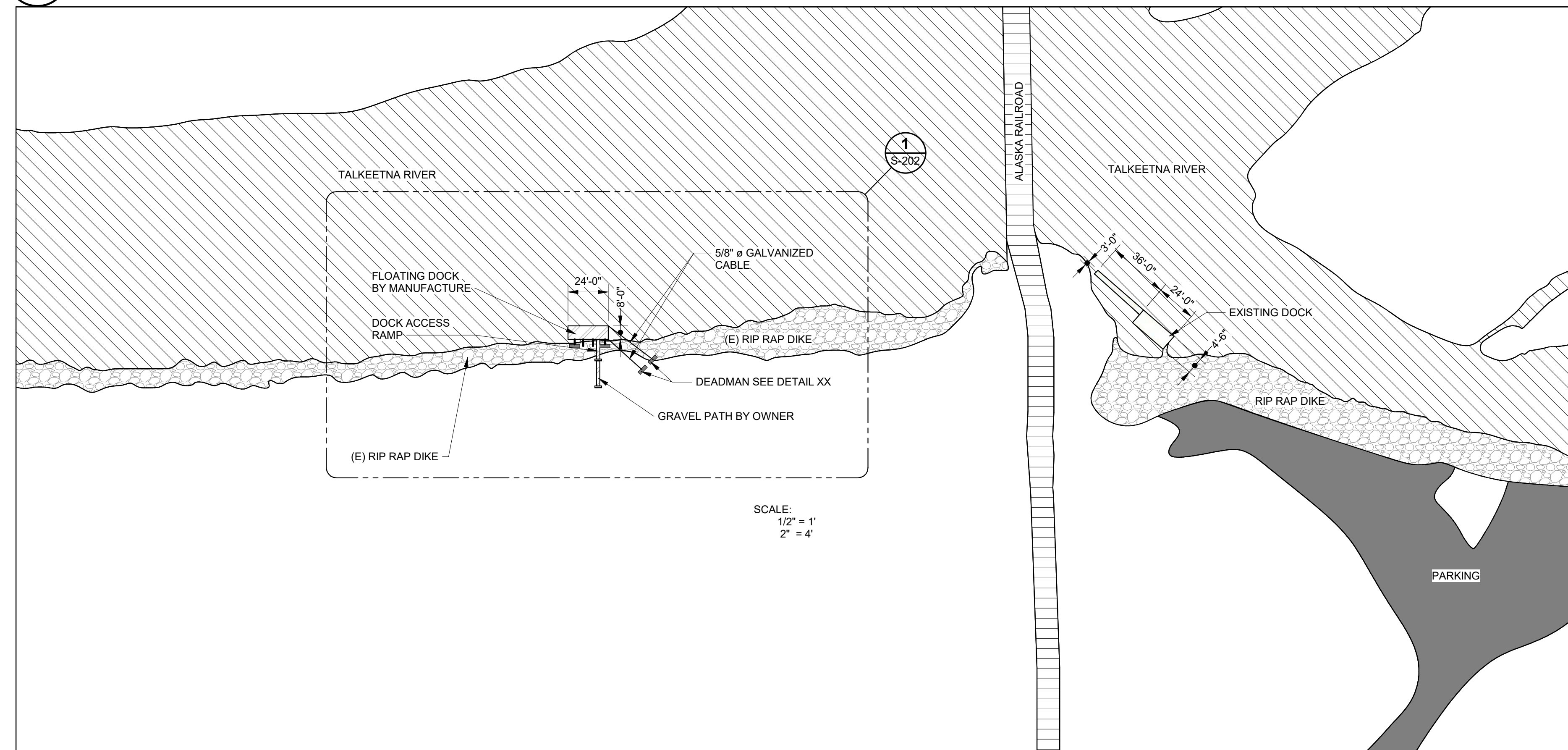
For more information about the proposed project or to submit comments electronically, please email Jeremy Allen, District Section 408 Coordinator, at [Jeremy.m.allen@usace.army.mil](mailto:Jeremy.m.allen@usace.army.mil).

IF THIS BAR DOES NOT MEASURE EXACTLY ONE INCH, THE SCALE OF THIS DRAWING HAS BEEN ALTERED DURING ITS PRODUCTION, AFFECTING ALL LABELED SCALES



**1 LOCATION PLAN SCALED**

S-201 SCALE: 1/2" = 1'-0"



**2 LOCATION PLAN**

S-201 SCALE: 1/2" = 1'-0"

**SHEET NOTES**

- FLOATING DOCK BY MANUFACTURE

CONSULTANT:

**NOT FOR CONSTRUCTION**

**PDC ENGINEERS**  
 PLAN • DESIGN • CONSTRUCT  
 2700 Gambell St., Anchorage, AK 99503  
 907.743.3200 | AEC605

PROJECT:  
**MAHAY'S TALKEETNA DOCK**  
 TALKEETNA ALASKA

SHEET TITLE:  
**LOCATION PLAN**

DESIGN: JEH  
 DRAWN: JMF  
 CHECKED: CJK  
 DATE: 03/4/2020

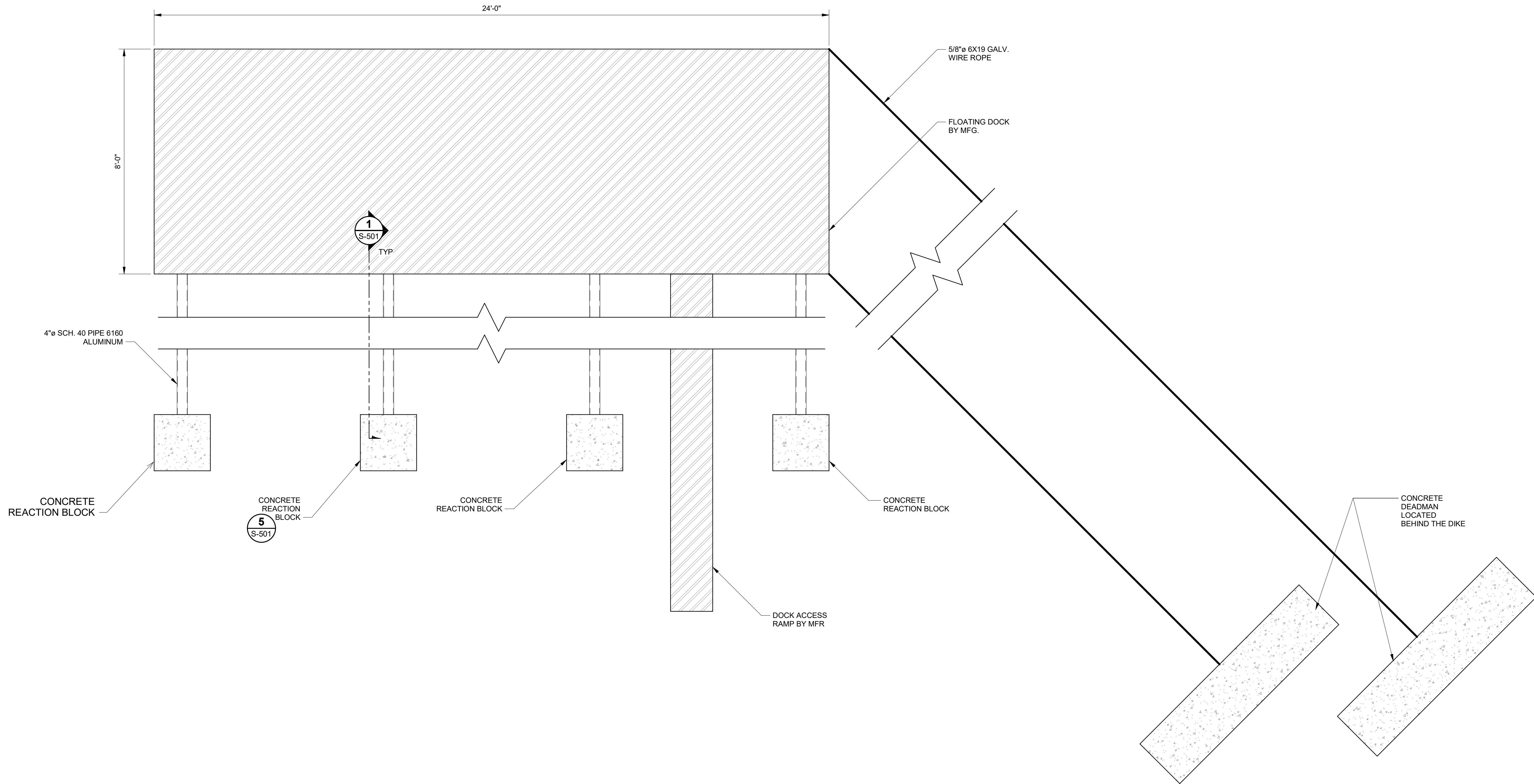
PROJECT No.  
**19202AN**  
 SHEET NUMBER

**S-201**

No.	Date	Item
REVISIONS		

IF THIS BAR DOES NOT MEASURE EXACTLY ONE INCH, THE SCALE OF THIS DRAWING HAS BEEN ALTERED DURING ITS PRODUCTION, AFFECTING ALL LABELED SCALES

3/23/2020 2:38:33 PM C:\Users\jfabian\Documents\PDC-STRU-19202AN\_RV19\_jeannifaster.rvt



### SHEET NOTES

1. PLACEMENT OF CONCRETE DEADMAN ANCHORS AND CONCRETE REACTION BLOCKS SHALL BE ACCOMPLISHED WITHOUT MOVING RIP-RAP OR OTHERWISE DISTURBING THE DIKE.

**1** LARGE SCALE DOCK PLAN  
 S-202 SCALE: 1/2" = 1'-0"

No.	Date	Item
REVISIONS		

CONSULTANT :

**NOT FOR CONSTRUCTION**

**PDC ENGINEERS**  
 PLAN • DESIGN • CONSTRUCT  
 2700 Gambell St., Anchorage, AK 99503  
 907.743.3200 | AEC605

PROJECT :  
**MAHAY'S TALKEETNA DOCK**  
**TALKEETNA ALASKA**

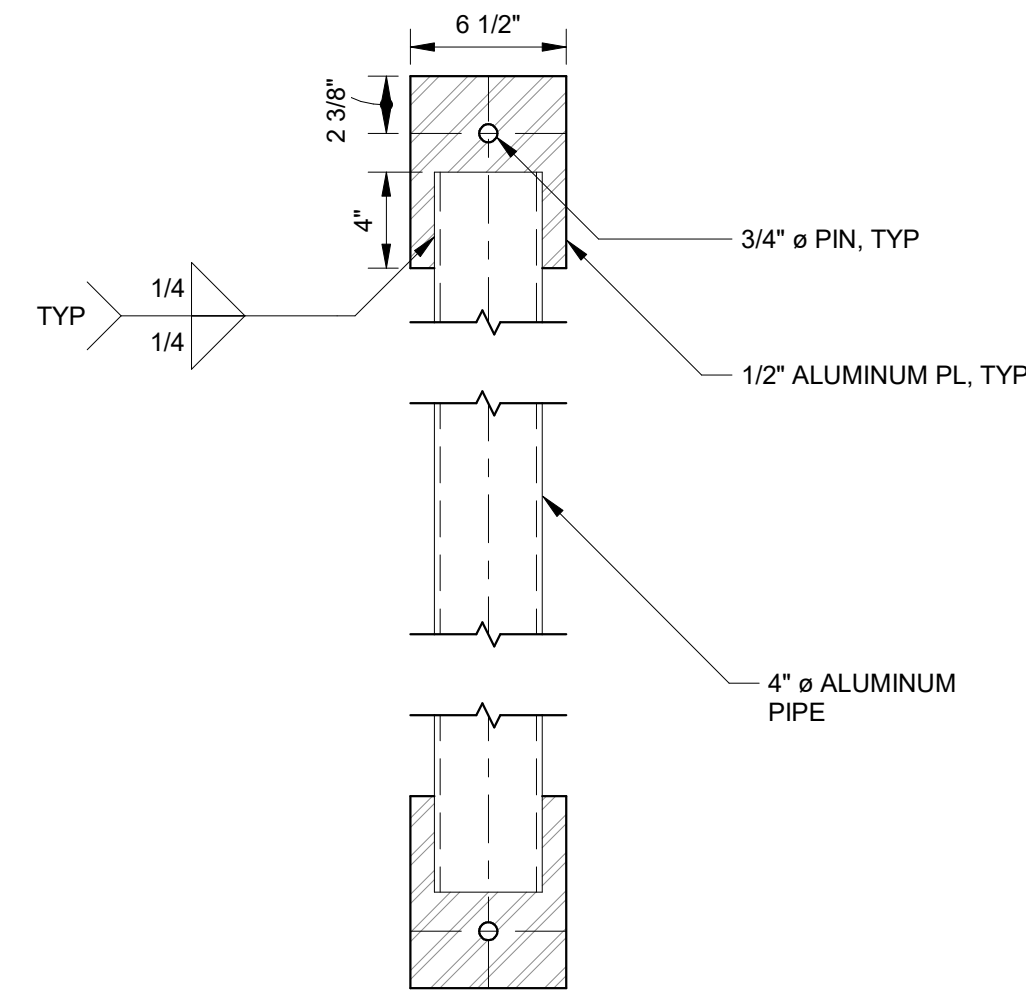
SHEET TITLE :  
**DOCK PLAN**

DESIGN: JEH  
 DRAWN: JMF  
 CHECKED: CJK  
 DATE: 03/4/2020

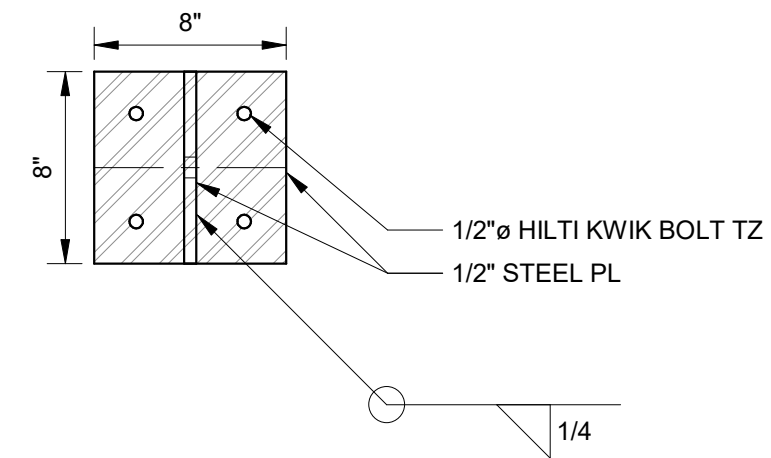
PROJECT No.  
**19202AN**  
 SHEET NUMBER

# S-202

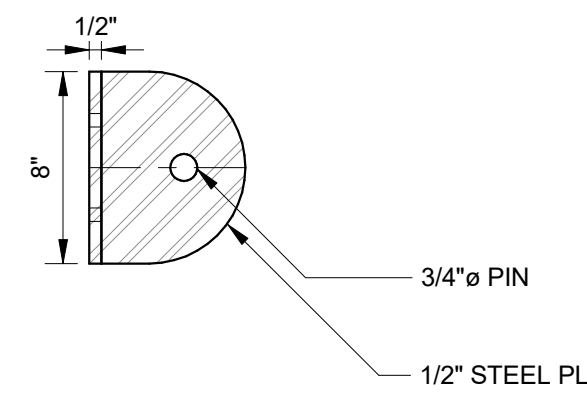
IF THIS BAR DOES NOT MEASURE EXACTLY ONE INCH, THE SCALE OF THIS DRAWING HAS BEEN ALTERED DURING ITS PRODUCTION, AFFECTING ALL LABELED SCALES



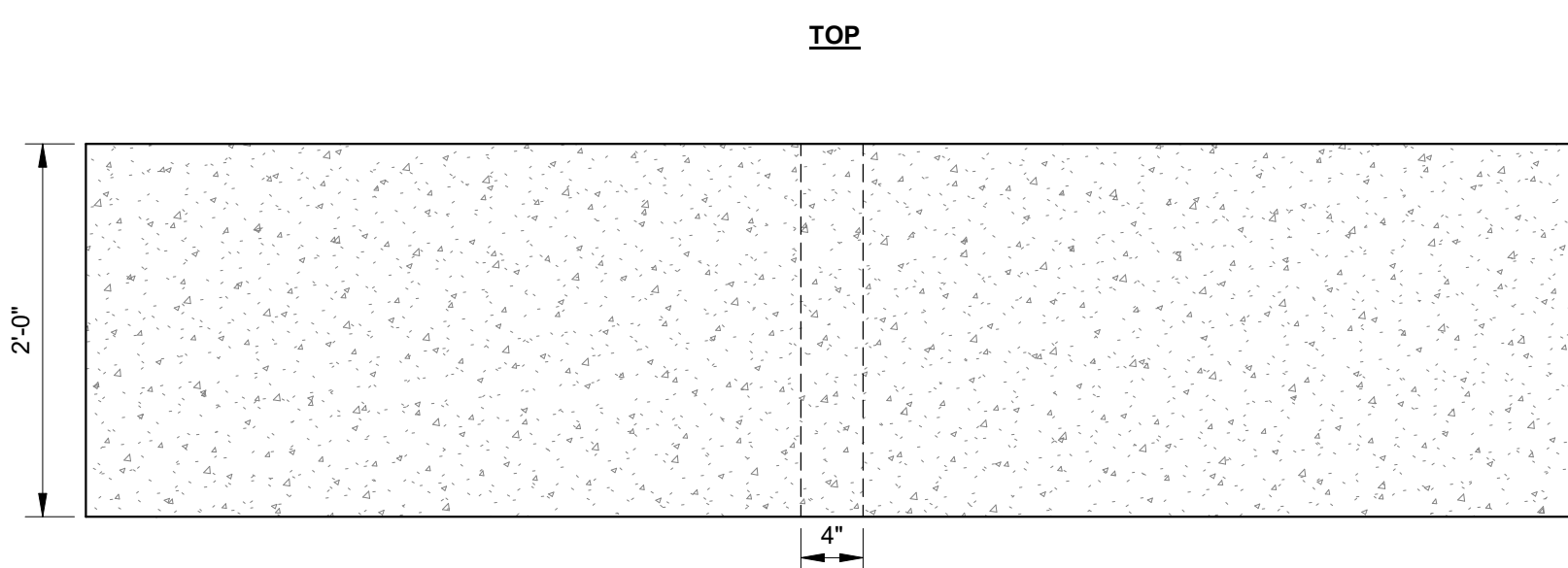
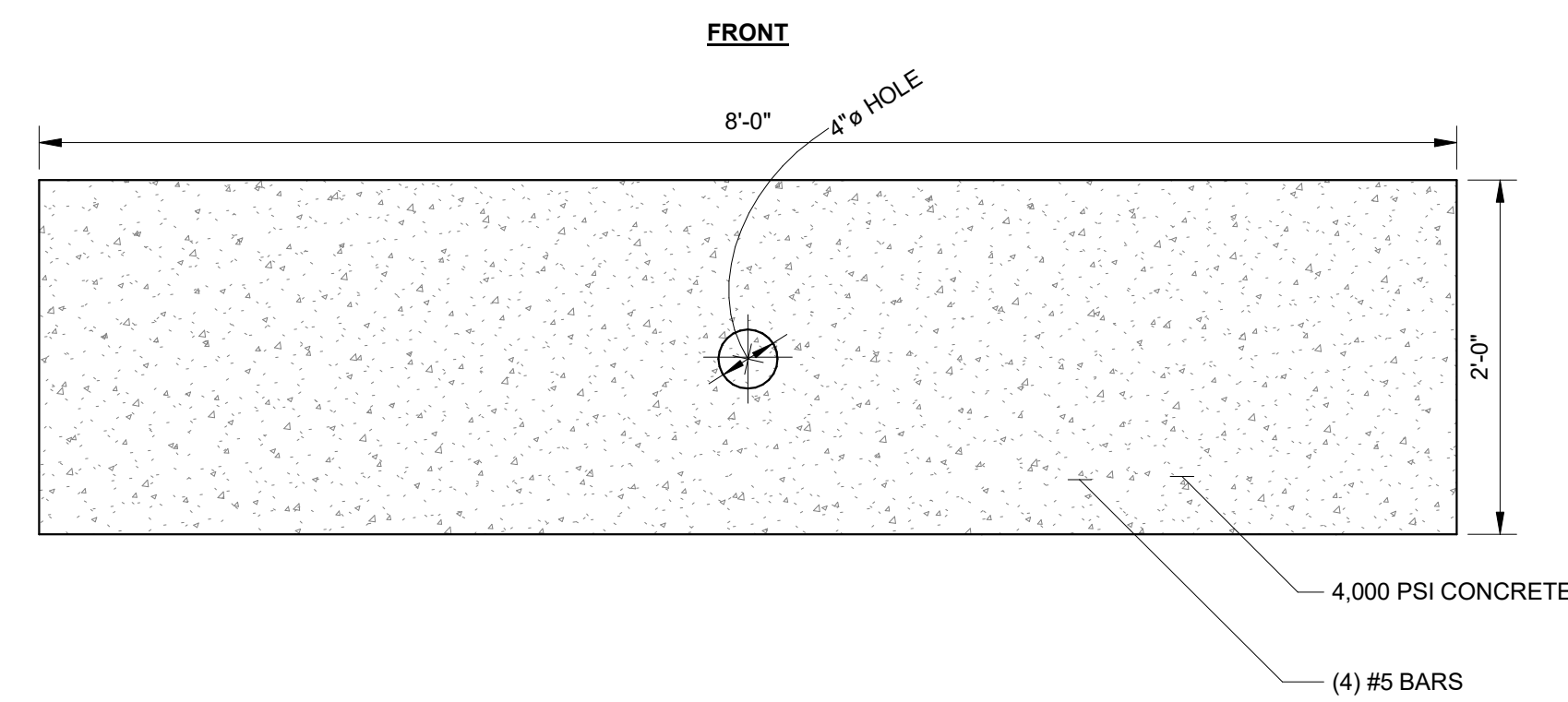
**1 DOCK COMPRESSION STRUT**  
S-501 SCALE: 1 1/2" = 1'-0"



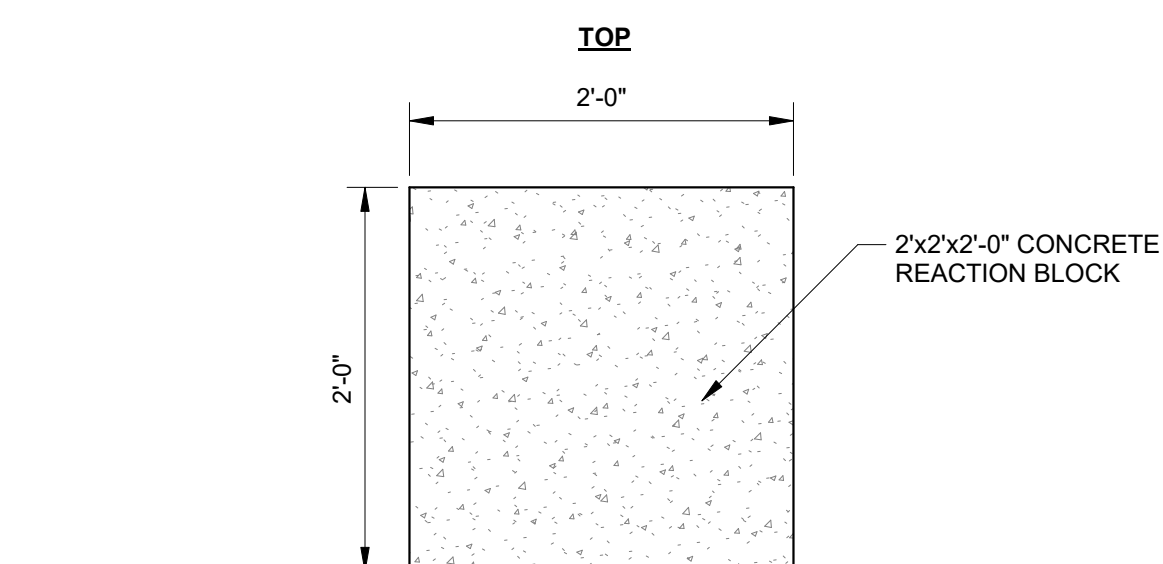
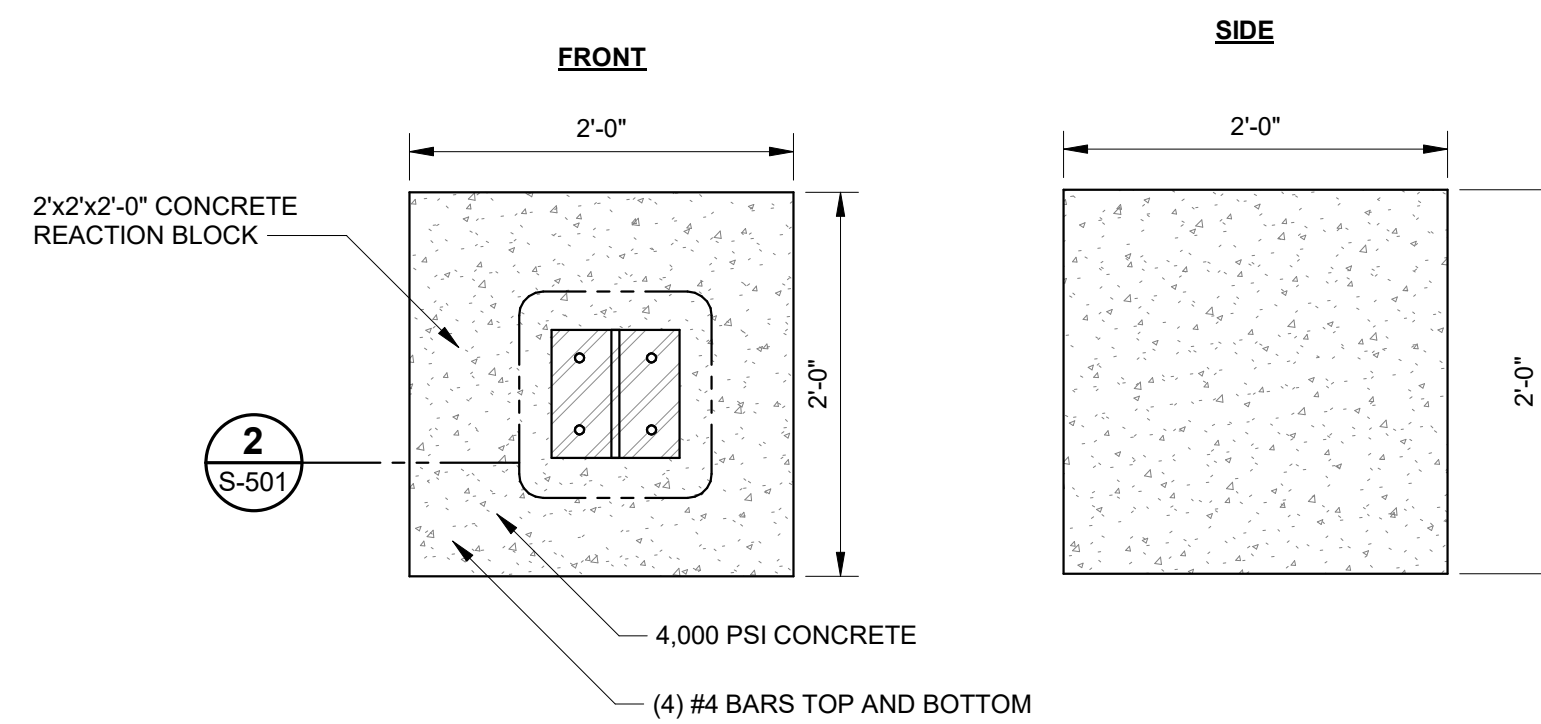
**2 DOCK COMPRESSION ANCHOR - TOP**  
S-501 SCALE: 1 1/2" = 1'-0"



**3 DOCK COMPRESSION STRUT ANCHOR - SIDE**  
S-501 SCALE: 1 1/2" = 1'-0"



**4 TYPICAL CONCRETE BLOCK DEADMAN**  
S-501 SCALE: 1" = 1'-0"



**5 TYPICAL CONCRETE REACTION BLOCK**  
S-501 SCALE: 1" = 1'-0"

3/23/2020 2:33:34 PM C:\Users\jfaber\Documents\PDC-STRU-19202AN\_RV19\_jeanmfaster.rvt

CONSULTANT :

**NOT FOR CONSTRUCTION**

**PDC ENGINEERS**  
PLAN • DESIGN • CONSTRUCT  
2700 Gambell St., Anchorage, AK 99503  
907.743.3200 | AEC605

PROJECT :  
**MAHAY'S TALKEETNA DOCK**  
TALKEETNA ALASKA

SHEET TITLE :  
**DOCK DETAILS**

DESIGN: JEH  
DRAWN: JMF  
CHECKED: CJK  
DATE: 03/4/2020

PROJECT No.  
**19202AN**  
SHEET NUMBER

**S-501**

No.	Date	Item
<b>REVISIONS</b>		