

PURPOSE:
REPLACE EXISTING DOCK

DATUM: 0' MLLW

PROJECT LOCATION:
LAT: 53.8776° LONG: 166.5491°
SEC. 3 & 10, T73S, R118W, S.M.

**VICINITY MAP AND
PROJECT LOCATION**

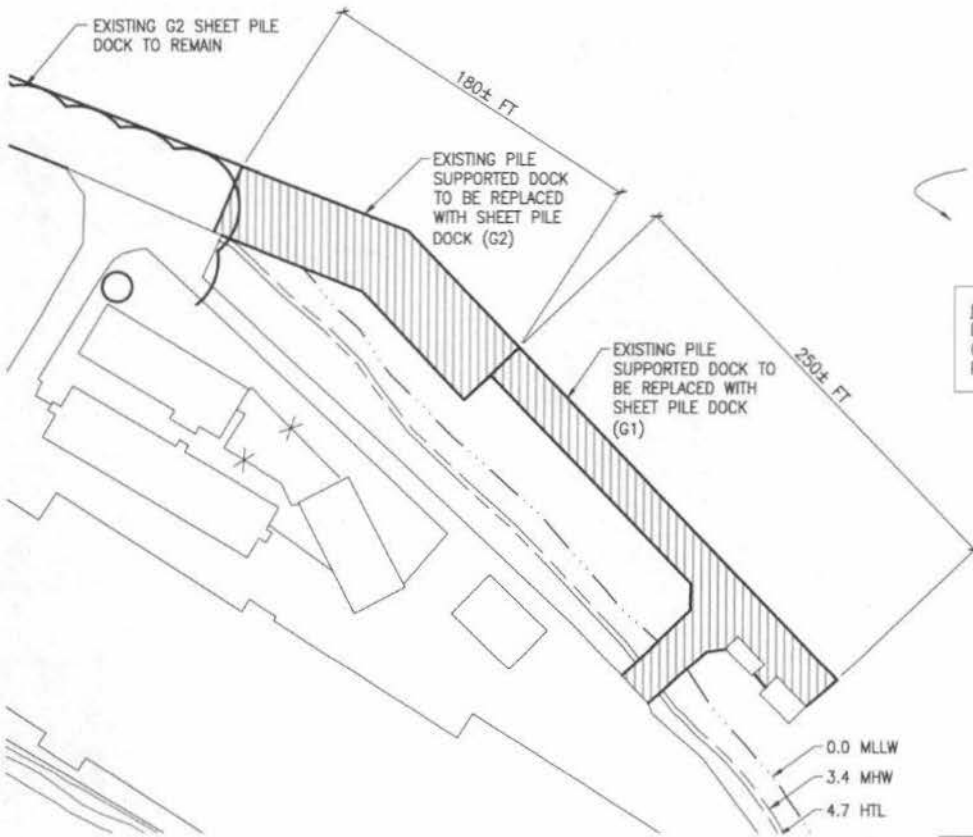
UNISEA, INC.
88 SALMON WAY
DUTCH HARBOR, AK
99692

**UNISEA DOCK
ILIULIUK HARBOR**

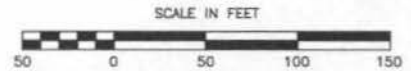
POA-1988-735-M

AT: UNALASKA
IN: ILIULIUK HARBOR

FEBRUARY 2015 SHEET **1** of **9**



NOTE:
DEMOLITION OF EXISTING G1 &
G2 PILE SUPPORTED DOCKS
PREVIOUSLY PERMITTED.



PURPOSE:
REPLACE EXISTING DOCK

DATUM: 0' MLLW

PROJECT LOCATION:
LAT: 53.8776° LONG: 166.5491°
SEC. 3 & 10, T73S, R118W, S.M.

PLAN VIEW EXISTING

UNISEA, INC.
88 SALMON WAY
DUTCH HARBOR, AK
99692

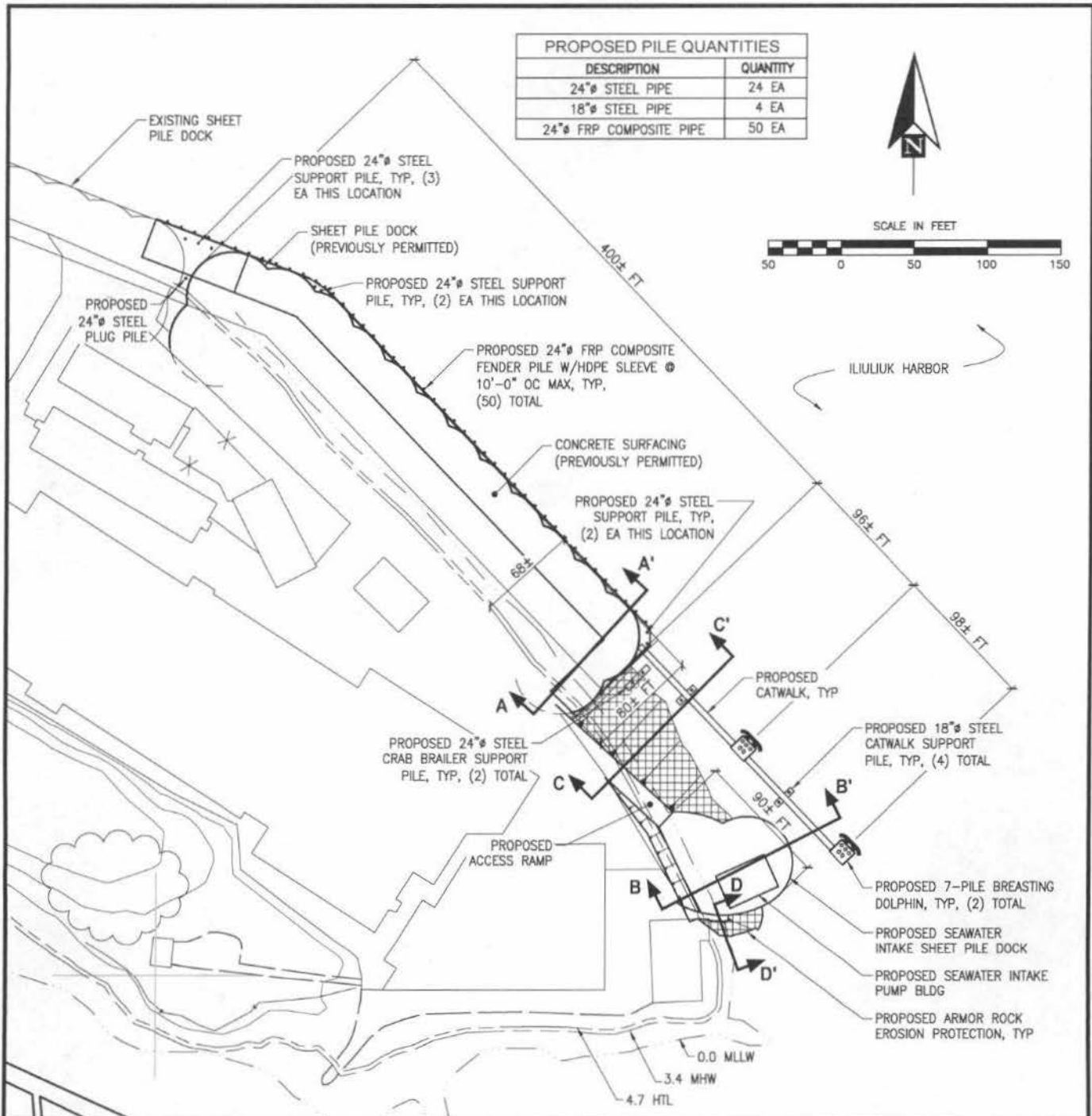
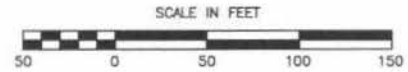
UNISEA DOCK ILIULIUK HARBOR

POA-1988-735-M

AT: UNALASKA
IN: ILIULIUK HARBOR

FEBRUARY 2015 SHEET **3** of **9**

PROPOSED PILE QUANTITIES	
DESCRIPTION	QUANTITY
24" ϕ STEEL PIPE	24 EA
18" ϕ STEEL PIPE	4 EA
24" ϕ FRP COMPOSITE PIPE	50 EA



PURPOSE:
REPLACE EXISTING DOCK

DATUM: 0' MLLW

PROJECT LOCATION:
LAT: 53.8776° LONG: 166.5491°
SEC. 3 & 10, T73S, R118W, S.M.

**PLAN VIEW
PROPOSED**

UNISEA, INC.
88 SALMON WAY
DUTCH HARBOR, AK
99692

**UNISEA DOCK
ILIULIUK HARBOR**

POA-1988-735-M

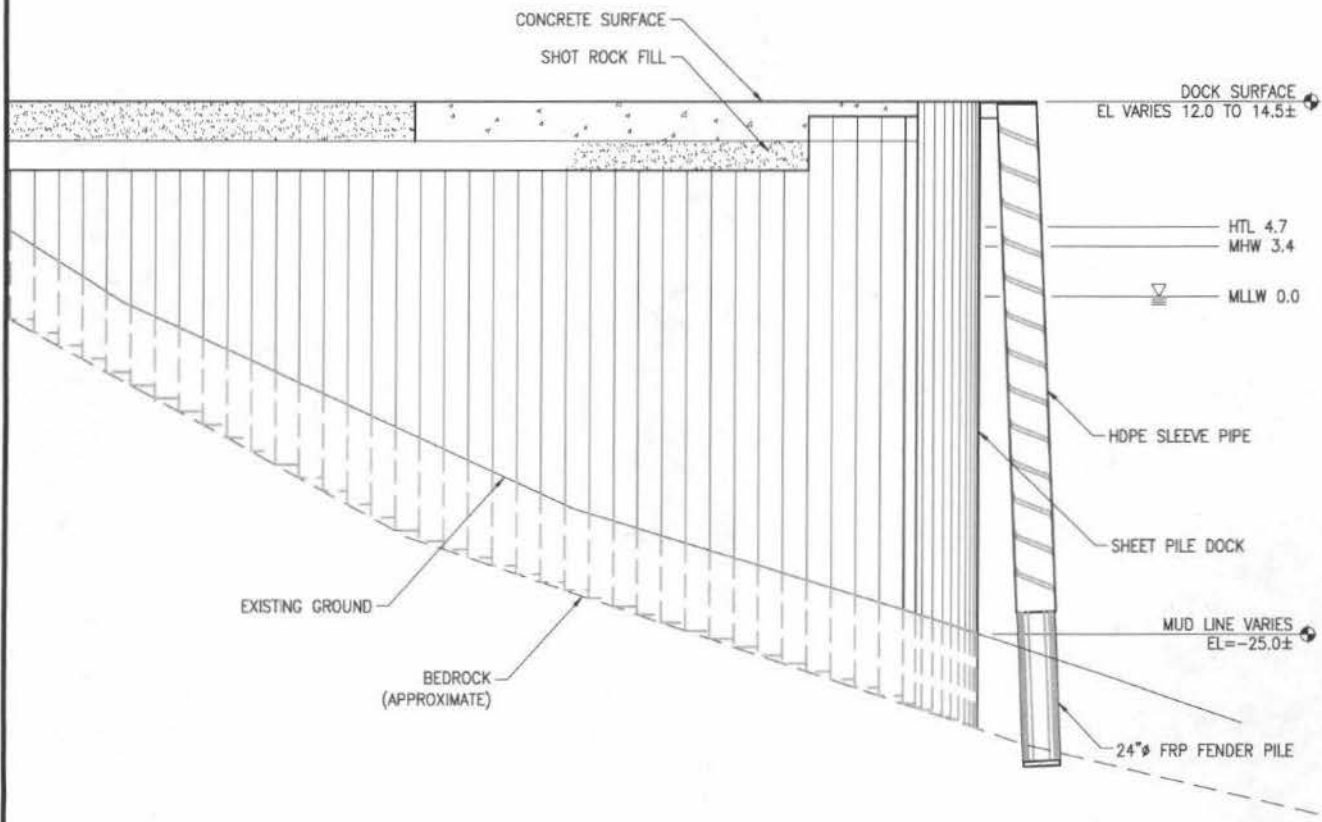
AT: UNALASKA
IN: ILIULIUK HARBOR

FEBRUARY 2015 SHEET **4** of **9**

ESTIMATED QUANTITIES

DESCRIPTION	QUANTITY
SHOT ROCK FILL BELOW MHW	19,300 CY
SHOT ROCK FILL BELOW HTL	21,000 CY
TOTAL SHOT ROCK FILL	31,100 CY
FOOTPRINT AREA BELOW HTL	0.8 ACRES

NOTE:
FILL AND AREA QUANTITIES FOR MAIN OPEN CELL SHEET PILE DOCK WERE PREVIOUSLY PERMITTED.



SHEET PILE DOCK SECTION A-A'

NTS

PURPOSE:
REPLACE EXISTING DOCK

DATUM: 0' MLLW

PROJECT LOCATION:
LAT: 53.8776° LONG: 166.5491°
SEC. 3 & 10, T73S, R118W, S.M.

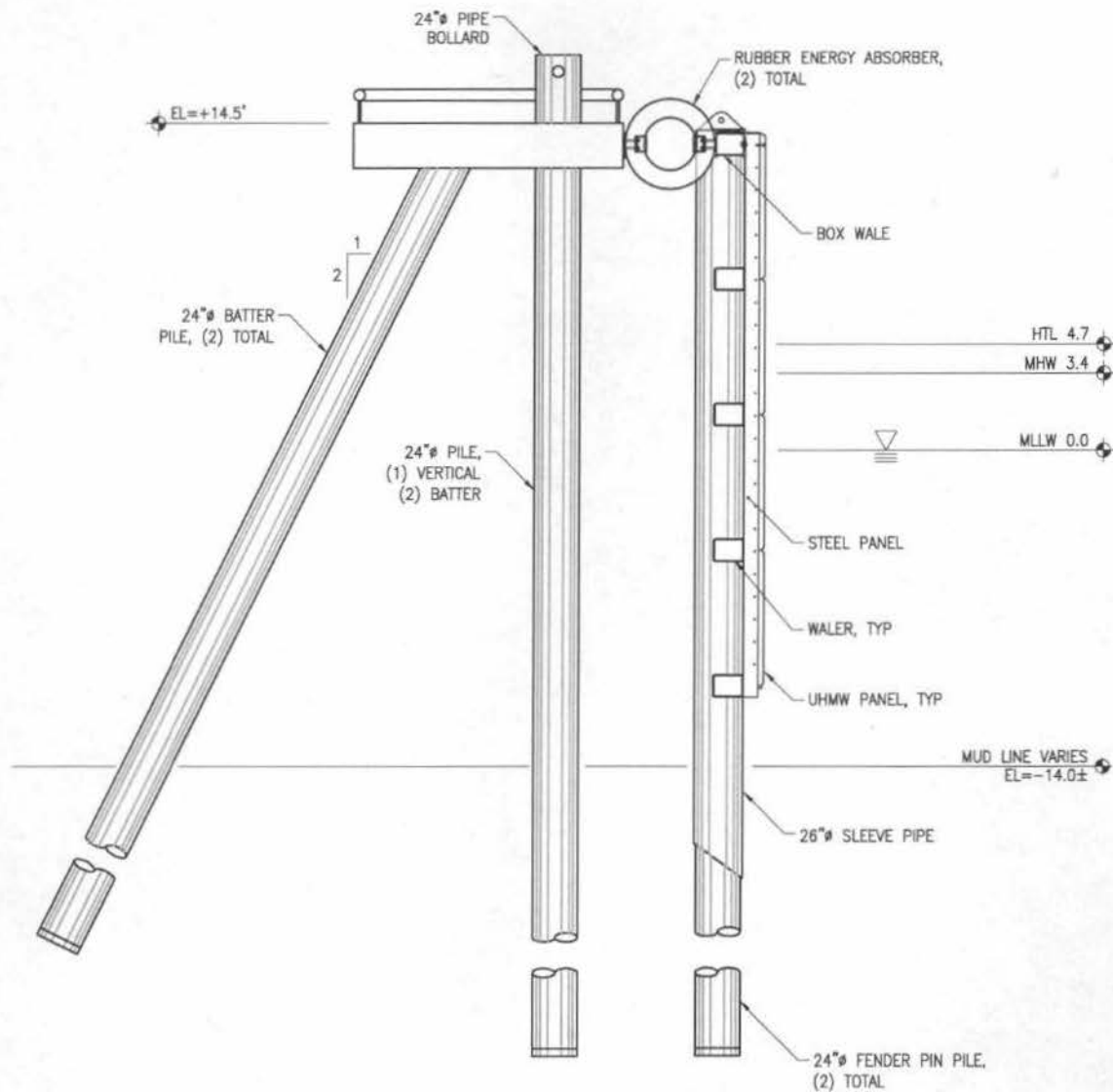
TYPICAL SECTION SHEET PILE FILL DOCK

UNISEA, INC.
88 SALMON WAY
DUTCH HARBOR, AK
99692

UNISEA DOCK ILIULIUK HARBOR POA-1988-735-M

AT: UNALASKA
IN: ILIULIUK HARBOR

FEBRUARY 2015 SHEET **5** of **9**



BREASTING DOLPHIN ELEVATION

NTS

PURPOSE:
REPLACE EXISTING DOCK

DATUM: 0' MLLW

PROJECT LOCATION:
LAT: 53.8776° LONG: 166.5491°
SEC. 3 & 10, T73S, R118W, S.M.

BREASTING DOLPHIN

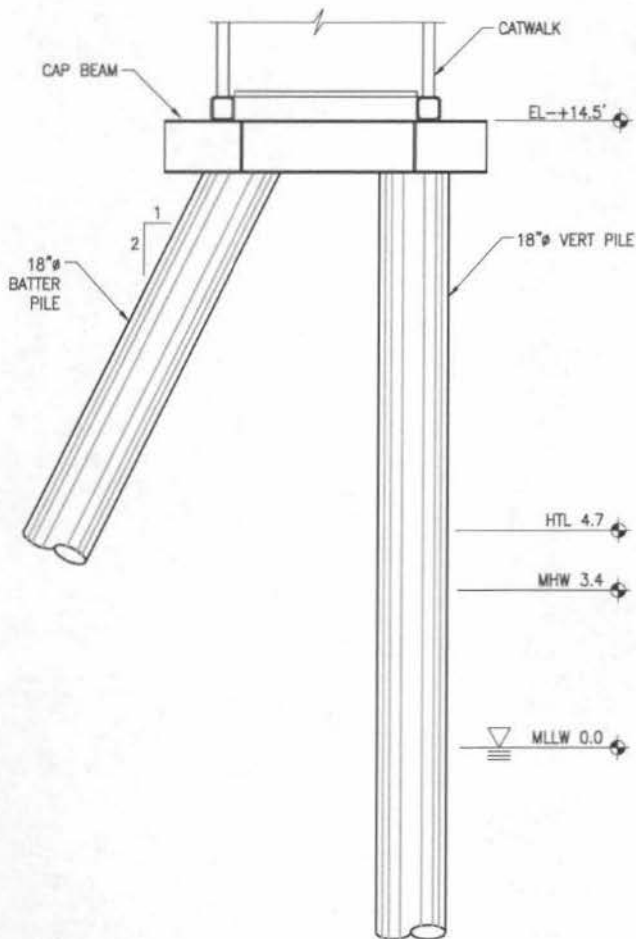
UNISEA, INC.
88 SALMON WAY
DUTCH HARBOR, AK
99692

**UNISEA DOCK
ILIULIUK HARBOR**

POA-1988-735-M

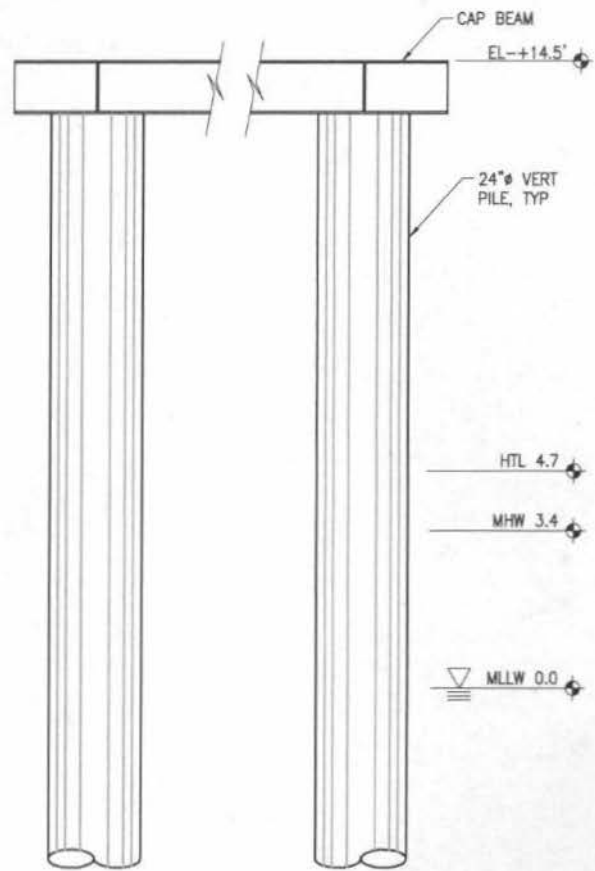
AT: UNALASKA
IN: ILIULIUK HARBOR

FEBRUARY 2015 SHEET **6** of **9**



**CATWALK SUPPORT
ELEVATION**

NTS



**CRAB BRAILER SUPPORT
ELEVATION**

NTS

PURPOSE:
REPLACE EXISTING DOCK

DATUM: 0' MLLW

PROJECT LOCATION:
LAT: 53.8776° LONG: 166.5491°
SEC. 3 & 10, T73S, R118W, S.M.

**CATWALK & CRAB
BRAILER SUPPORT
BENTS**

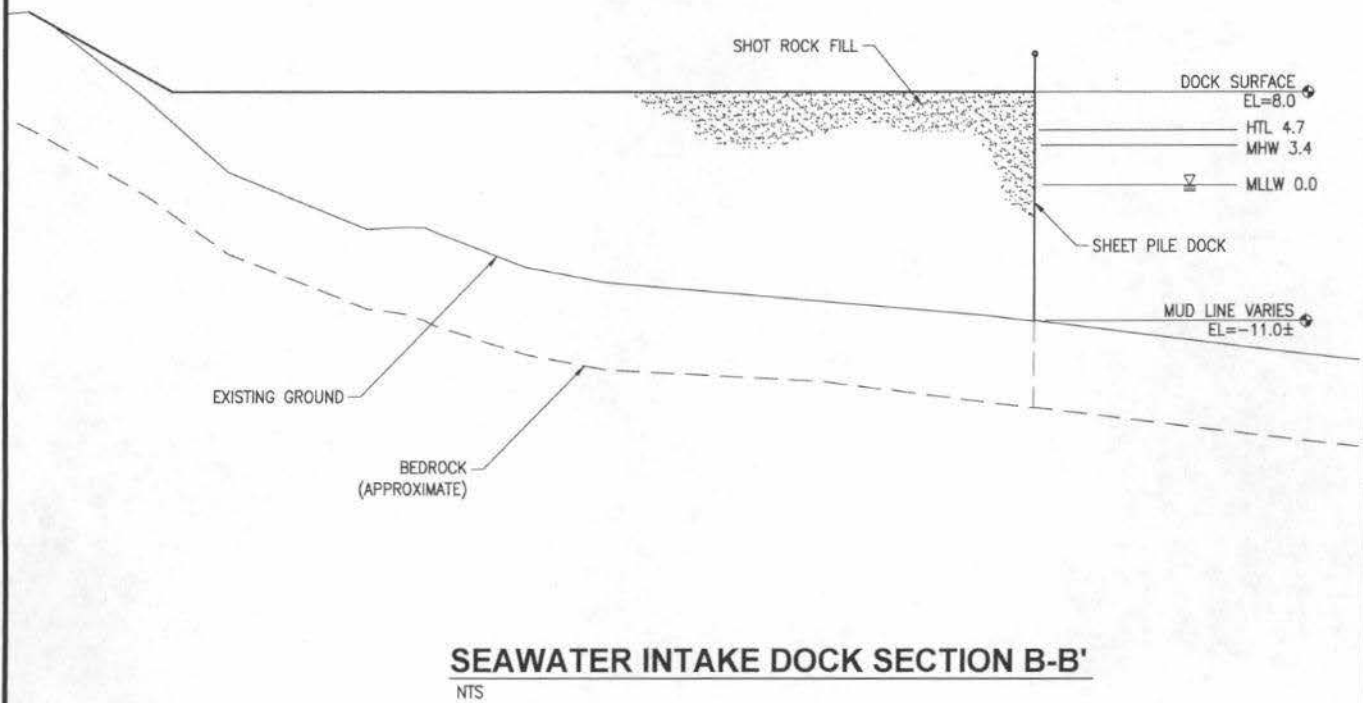
UNISEA, INC.
88 SALMON WAY
DUTCH HARBOR, AK
99692

**UNISEA DOCK
ILIULIUK HARBOR**
POA-1988-735-M

AT: UNALASKA
IN: ILIULIUK HARBOR

FEBRUARY 2015 SHEET **7** of **9**

PROPOSED ESTIMATED QUANTITIES	
DESCRIPTION	QUANTITY
SHOT ROCK FILL BELOW MHW	3,100 CY
SHOT ROCK FILL BELOW HTL	3,200 CY
TOTAL SHOT ROCK FILL	3,400 CY
ARMOR ROCK BELOW MHW	365 CY
ARMOR ROCK BELOW HTL	375 CY
TOTAL ARMOR ROCK	400 CY
FOOTPRINT AREA BELOW HTL	0.25 ACRES



PURPOSE:
REPLACE EXISTING DOCK

DATUM: 0' MLLW

PROJECT LOCATION:
LAT: 53.8776° LONG: 166.5491°
SEC. 3 & 10, T73S, R118W, S.M.

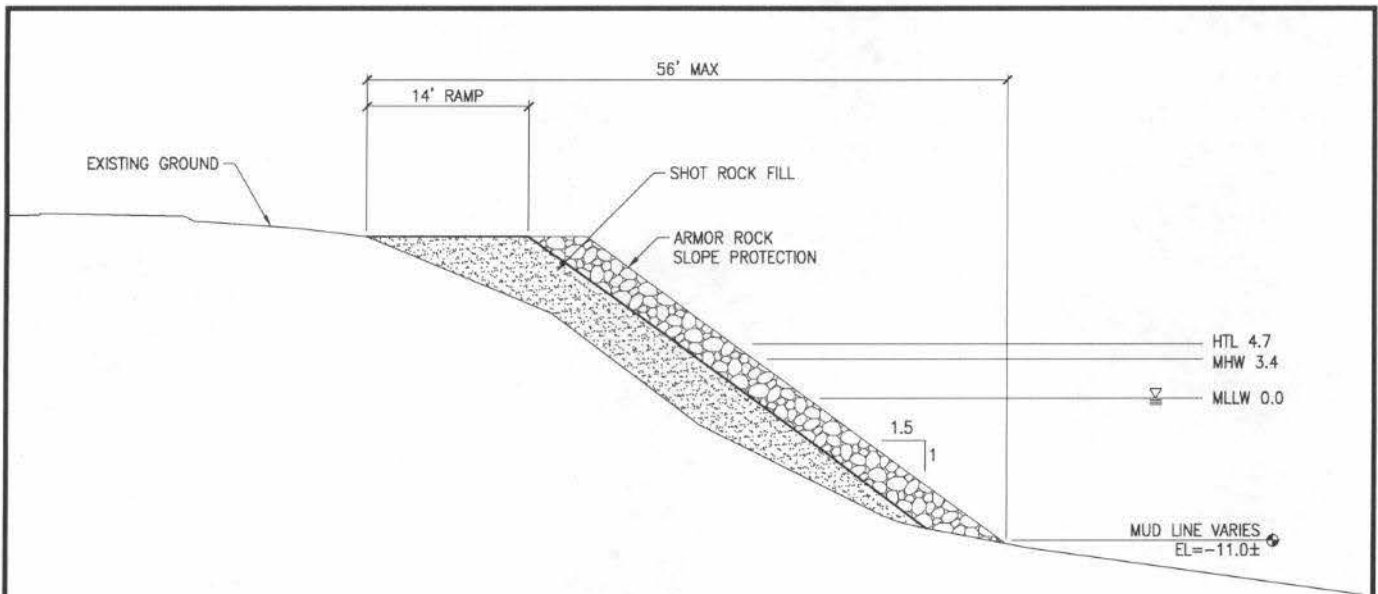
**SEAWATER
INTAKE DOCK
SECTION**

UNISEA, INC.
88 SALMON WAY
DUTCH HARBOR, AK
99692

**UNISEA DOCK
ILIULIUK HARBOR**
POA-1988-735-M

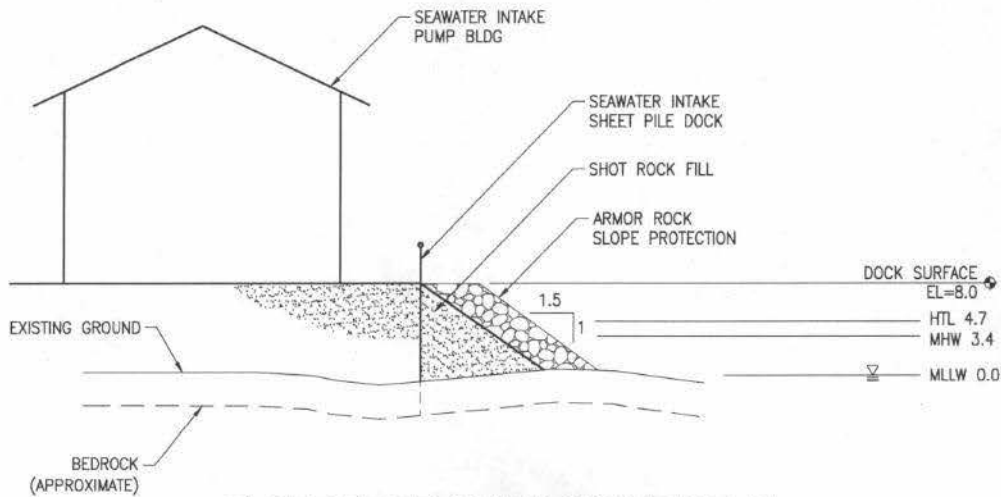
AT: UNALASKA
IN: ILIULIUK HARBOR

FEBRUARY 2015 SHEET **8** of **9**



RAMP SECTION C-C'

NTS



SLOPE PROTECTION SECTION D-D'

NTS

PURPOSE:
REPLACE EXISTING DOCK

DATUM: 0' MLLW

PROJECT LOCATION:
LAT: 53.8776° LONG: 166.5491°
SEC. 3 & 10, T73S, R118W, S.M.

**RAMP & SLOPE
PROTECTION
SECTIONS**

UNISEA, INC.
88 SALMON WAY
DUTCH HARBOR, AK
99692

**UNISEA DOCK
ILIULIUK HARBOR**
POA-1988-735-M

AT: UNALASKA
IN: ILIULIUK HARBOR

FEBRUARY 2015 SHEET **9** of **9**