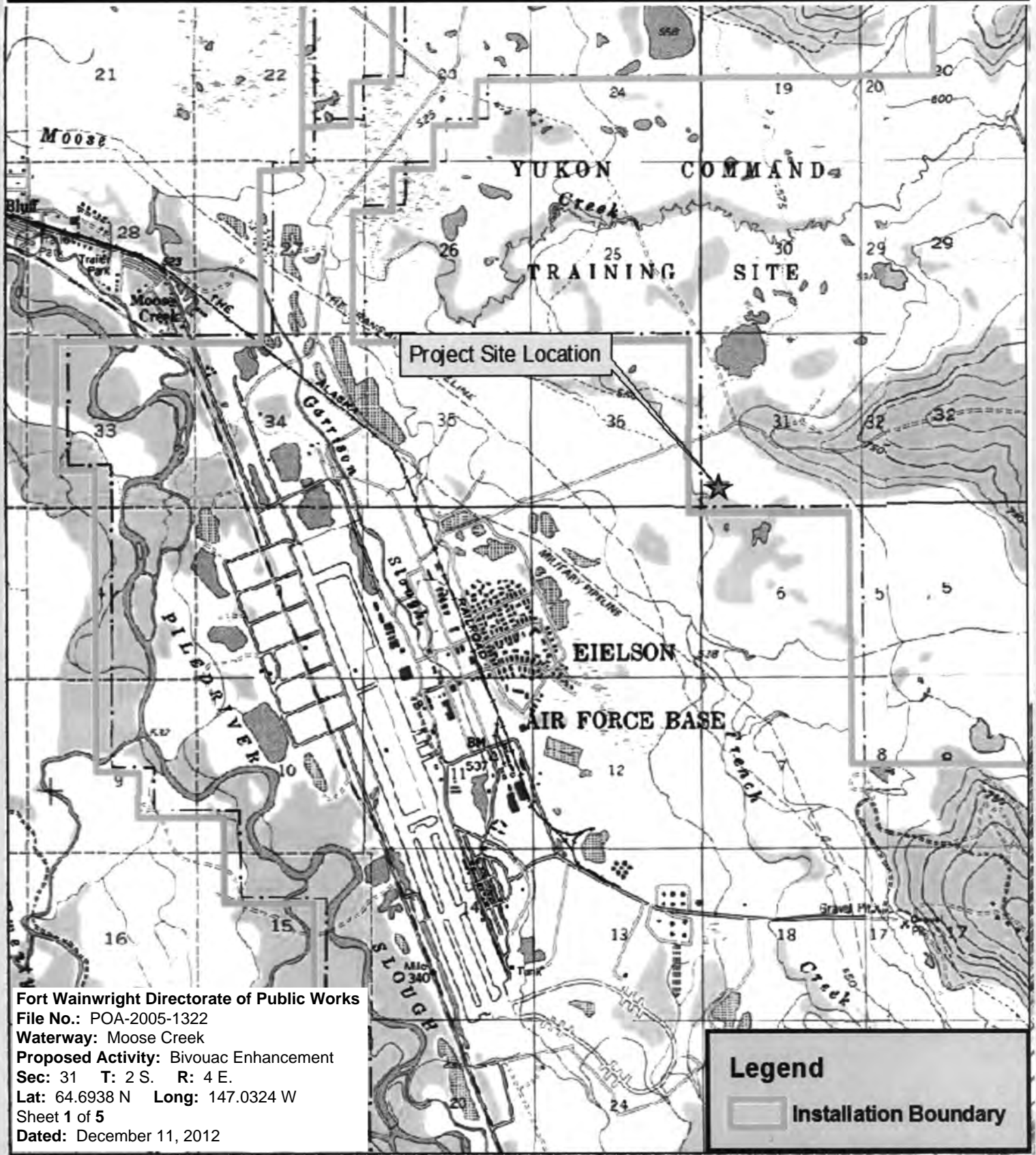


Lower Winter Camp Bivouac Enhancement



Fort Wainwright Directorate of Public Works
File No.: POA-2005-1322
Waterway: Moose Creek
Proposed Activity: Bivouac Enhancement
Sec: 31 T: 2 S. R: 4 E.
Lat: 64.6938 N Long: 147.0324 W
Sheet 1 of 5
Dated: December 11, 2012

Legend

— Installation Boundary

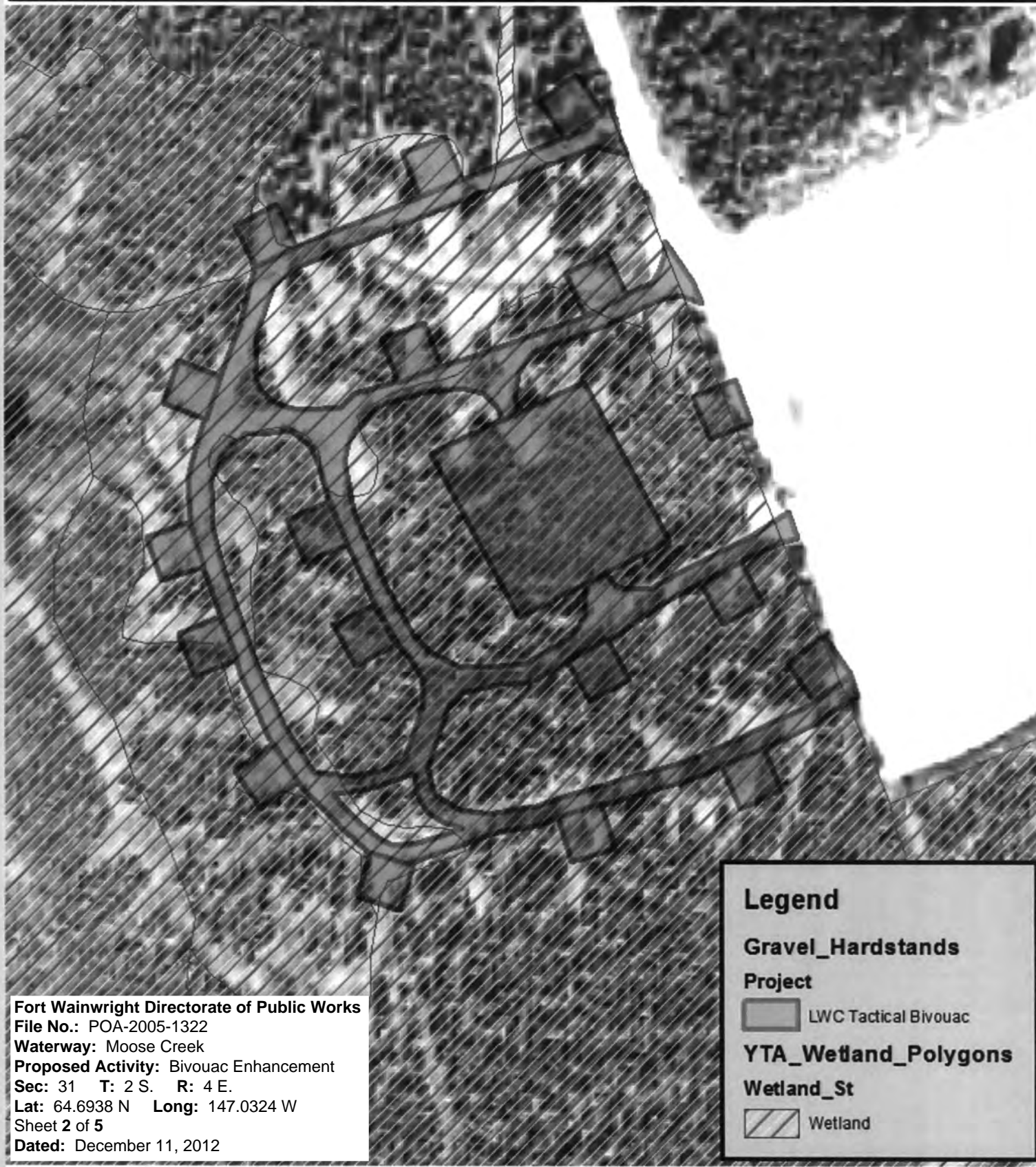
U.S. Army Alaska
Fort Wainwright
Data Source: ITAM 353-3016



0 45 90 180 Feet

11-Dec-2012

Lower Winter Camp Bivouac Enhancement




Fort Wainwright Directorate of Public Works
File No.: POA-2005-1322
Waterway: Moose Creek
Proposed Activity: Bivouac Enhancement
Sec: 31 T: 2 S. R: 4 E.
Lat: 64.6938 N Long: 147.0324 W
Sheet 2 of 5
Dated: December 11, 2012

Legend


Gravel_Hardstands

Project

 LWC Tactical Bivouac


YTA_Wetland_Polygons

Wetland_St

 Wetland

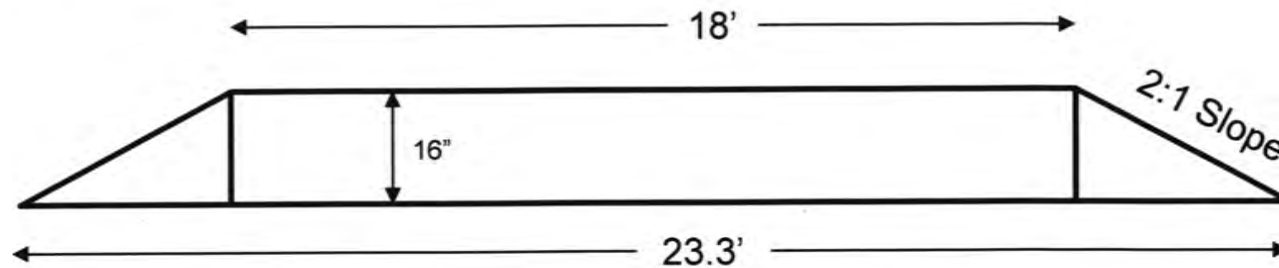
U.S. Army Alaska
Fort Wainwright
Data Source: ITAM 353-3016



0 45 90 180 Feet


11-Dec-2012

Access Trails



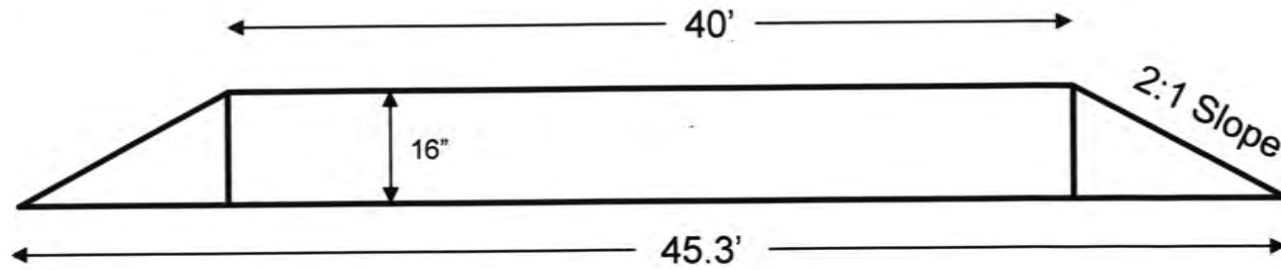
Typical Cross Section

Fill Calculations: Access Trails					
	Length	Thickness	Width	Cubic ft	Cubic yards
Wetlands	2,483'	16"	23.3'	68,420	2,534

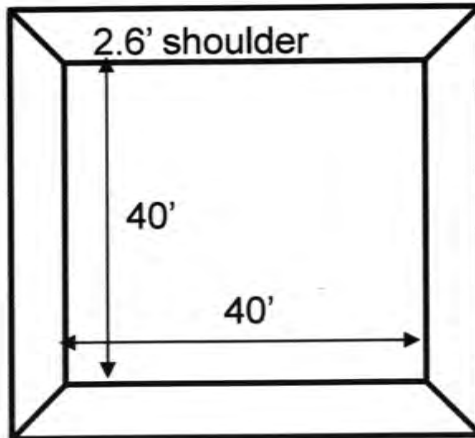
Not drawn to scale.

Fort Wainwright Directorate of Public Works
File No.: POA-2005-1322
Waterway: Moose Creek
Proposed Activity: Bivouac Enhancement
Sec: 31 **T:** 2 S. **R:** 4 E.
Lat: 64.6938 N **Long:** 147.0324 W
 Sheet 3 of 5
Dated: December 28, 2012

Bivouac Pads



Typical Cross Section



Plan View

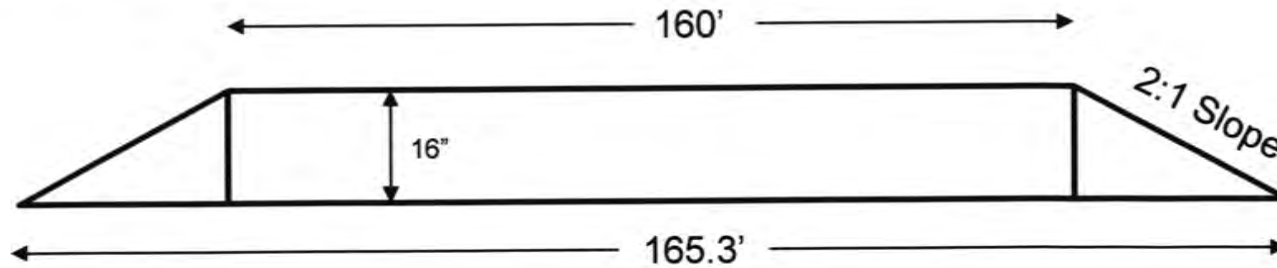
Fill Calculations: 18 Bivouac Pads

	Length	Thickness	Width	Cubic ft/pad	Cubic yards (total)
Wetlands (17 pads)	45.3'	16"	45.3'	2,427	1,528
Uplands (1 pad)	45.3'	16"	45.3'	2,427	90

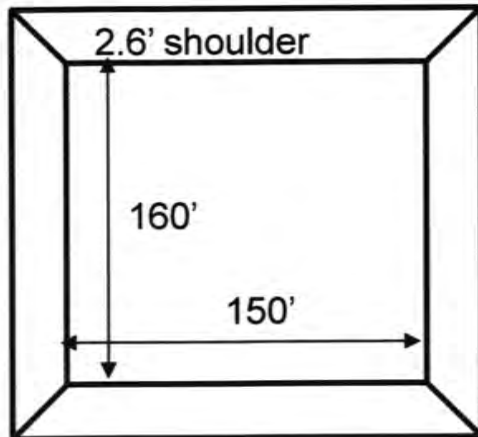
Not drawn to scale.

Fort Wainwright Directorate of Public Works
 File No.: POA-2005-1322
 Waterway: Moose Creek
 Proposed Activity: Bivouac Enhancement
 Sec: 31 T: 2 S. R: 4 E.
 Lat: 64.6938 N Long: 147.0324 W
 Sheet 4 of 5
 Dated: December 28, 2012

Large Common Pad



Typical Cross Section



Plan View

Fill Calculations: Common Pad

	Length	Thickness	Width	Cubic ft/pad	Cubic yards (total)
Wetlands	165.3'	16"	155.3'	33,111	1,226

Not drawn to scale.

Fort Wainwright Directorate of Public Works

File No.: POA-2005-1322

Waterway: Moose Creek

Proposed Activity: Bivouac Enhancement

Sec: 31 **T:** 2 S. **R:** 4 E.

Lat: 64.6938 N **Long:** 147.0324 W

Sheet 5 of 5

Dated: December 28, 2012